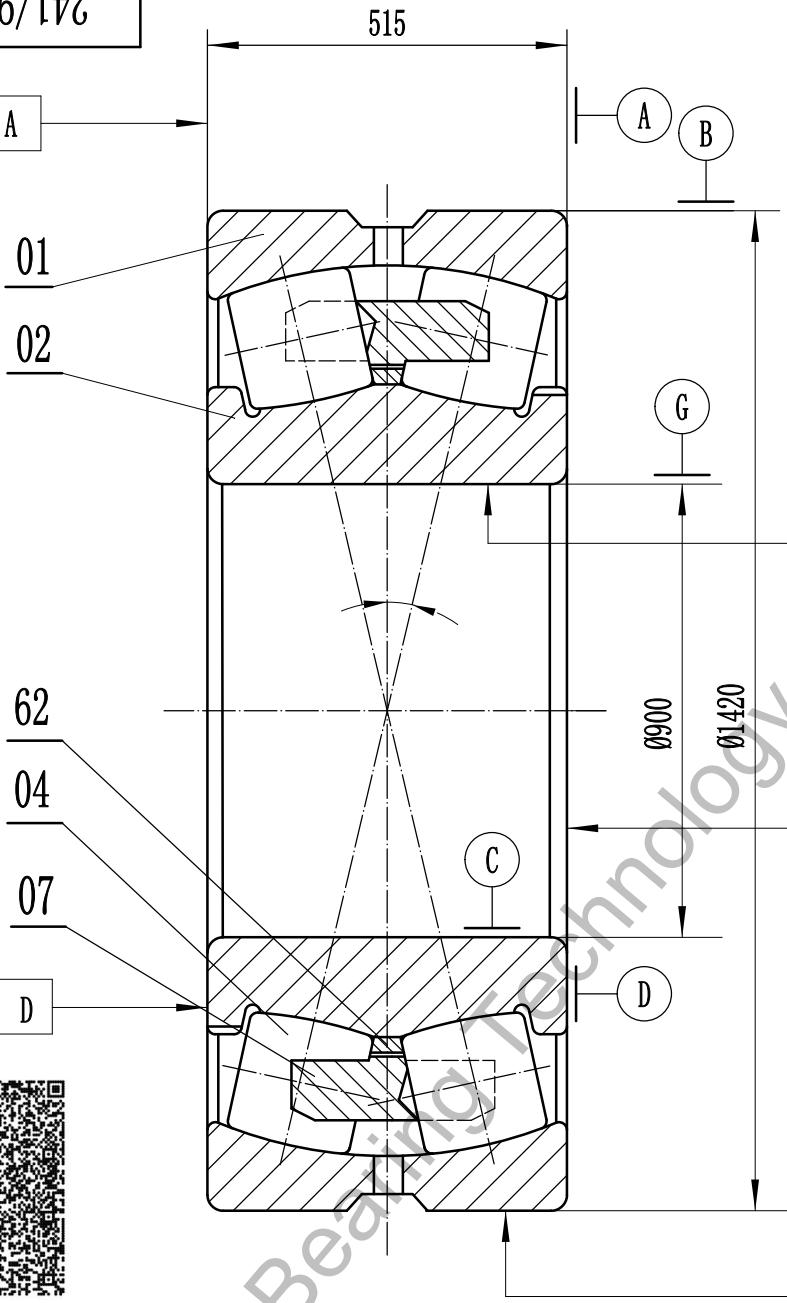




/// V_{Cs} A



⊖ V_{dsp}
 ⊘ V_{dmp}
 ⚡ K_{ia} B

⚡ S_d G

/// V_{Bs} D



⊖ V_{Dsp}
 ⊘ V_{Dmp}
 ⚡ K_{ea} C
 ✓ S_D A

- 1、Tolerance of running accuracy are according to relevant state standard;
- 2、The value of the basic group of radial clearance:min **** max ****;
- 3、Rated load: Cr= **** kN Cor= **** kN.

| | | | | | |
|----|------------|------------------------------------|--|--|--|
| 62 | Guide ring | Steel 20—GB/T699 | | | |
| 07 | Cage | Steel St 52-EN 10025:1990 + A:1993 | | | |
| 04 | Roller | Steel 100CrMnSi6-4—ISO 683-17:1999 | | | |
| 02 | Inner ring | Steel 100CrMnSi6-4—ISO 683-17:1999 | | | |
| 01 | Outer ring | Steel 100CrMnSi6-4—ISO 683-17:1999 | | | |

| No. | Designation | Qty | Material | unit | toatl | Remark |
|-----|-------------|-----|----------|-------------|-------|--------|
| | | | | Weight (kg) | | |

Luoyang JCB Bearing Technology Co., Ltd
 Contact information
 Company Address : No. 285, Fenghua road,
 Luoyang, Henan, China.
 Postal code : 471000
 Phone :86-379-68611678
 Fax : 86-379-68611679
 E-mail: sales@jcb-bearing.com
 Reserved E-mail: sales@sphericalrollerbearing.net
 Website: www.jcb-bearing.com
 www.sphericalrollerbearing.net

Spherical Roller Bearing

| | | | | |
|---|--|--|------------|-------|
| 241/900 ECAF/W33 | | | | |
| | | | Weight(kg) | Scale |
| S | | | | — |
| Total page 5 | | | Page No. 1 | |
| Luoyang JCB Bearing Technology Co., Ltd | | | | |